

# KLIMA-FLEX 1 ROD LINKS



The Klima-flex 1 Rod Links are used to operate two or more locking units with one handle. The handle is connected to interlink rods and rod links, and since the rod link clamps the interlink rod, you can connect several latching units to one handle.



## MATERIAL

**Link:** Steel, zinc plated or stainless steel 304

**Rod connection:** Zinc die cast, zinc plated or stainless steel 303

**Screw:** Steel, zinc plated or stainless steel 304

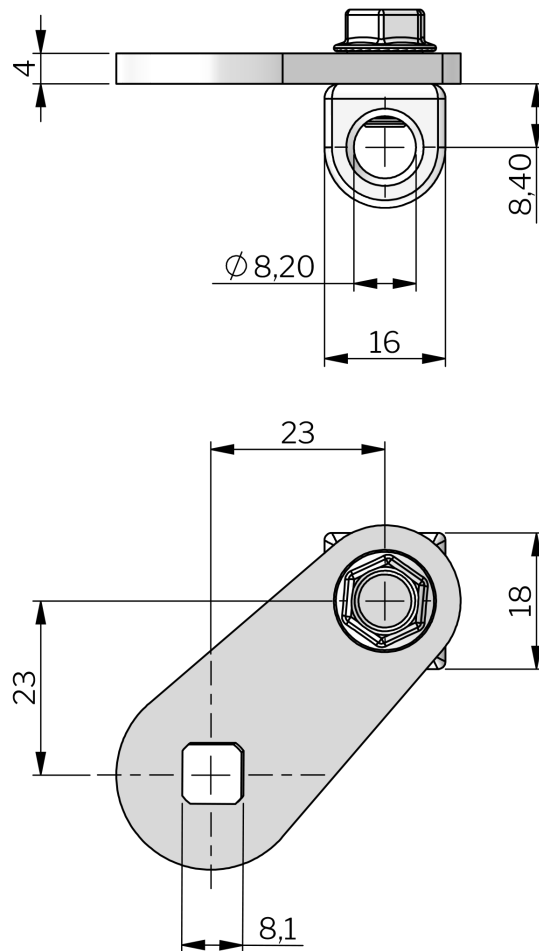
## RELATED PRODUCTS

**Interlink rods:** 2-313a

Use the Index Code at [industrilas.com](http://industrilas.com)

## TECHNICAL INFORMATION

**Standards:** VDI 6022



P/N	Description	Material
263079-10	Rod link	Stainless steel 304
265079-10	Rod link	Steel

**Industrilas**  
— When access counts —